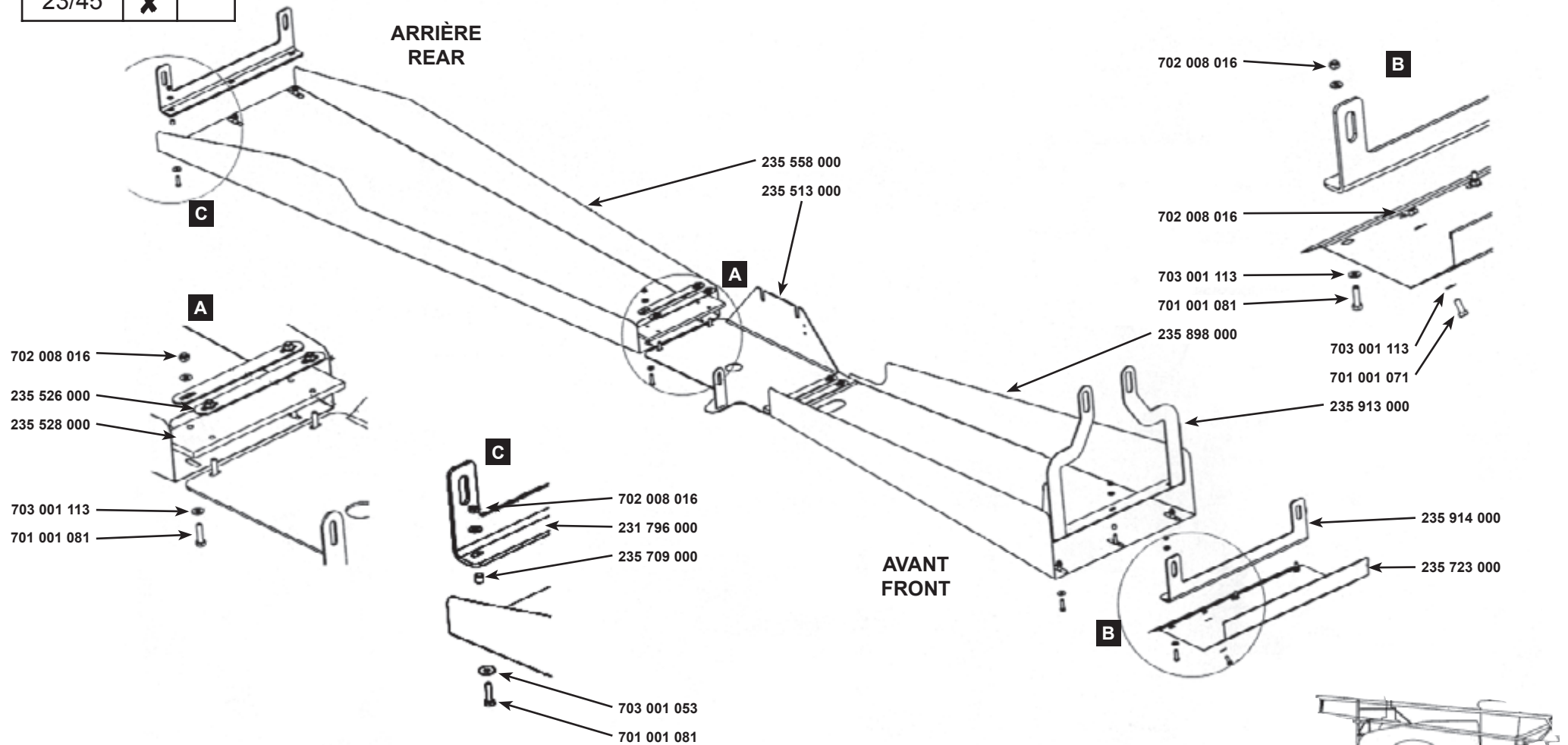



Km/h	25	40
17/39		
21/39		
23/45	X	



CATALOGUE MAESTRIA
RAMPE AV 2004
 Ajout mars 2006/March '06 Add-on

CARTER CHASSIS LONG STABILIS® STABILIS® LONG FRAME HOUSING		10
		106
		28/03/06